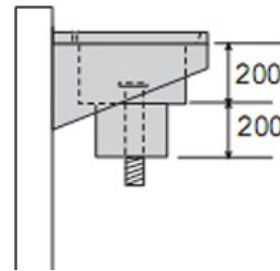
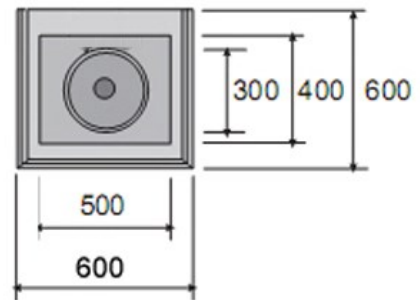


Stainless Steel Plaster Sink

Product Code: SSP-PS



Description:

Stainless steel wall mounted plaster sink.

Manufactured from stainless steel with a satin polish finish.

The plaster sink is manufactured with an anti drip edge and turn down to three sides and a small rear upstand.

Wall mounting brackets with the option of front support legs.

Overall size 600mm x 600mm.

Supplied as standard with no tap holes but can be supplied with one or two tap holes.

Size:

500mm x 400mm x 200mm sink bowl.

Integral sump with removable stainless steel plaster basket and cover.

38mm waste with standpipe strainer and plug.

Delivery:

Made to order - Usually 10 to working days

WASHWARE ESSENTIALS LTD

Kestrel Court, Harbour Road, Portishead, Bristol BS20 7AN, Phone: 01275 390603

Web: www.washwareessentials.co.uk E-mail: enquiries@washwareessentials.co.uk